

Piezosignalgeber (mit Ansteuerung) RMP-28SW Art.-Nr.: 185150

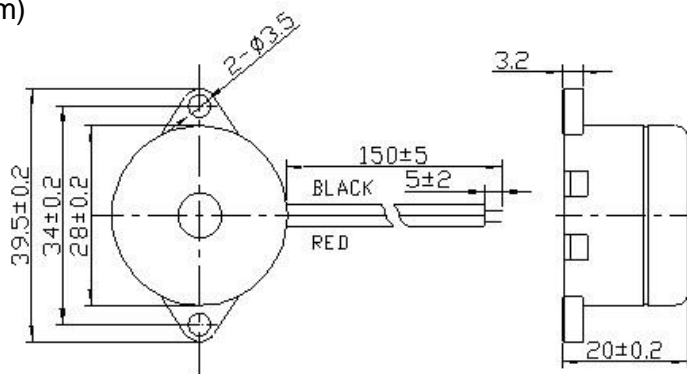
Specification :

TYPE	UNIT	RMP-28SW
• Min. Sound Output at 30cm	dB	95
Rated Voltage	V	12
Operating Voltage	V	3~20
Resonant Frequency	Hz	2.900±300
• Max. Current Consumption	mA	50
Tone		Continuous
Operating Temperature	°C	-20~+70
Storage Temperature	°C	-30~+80

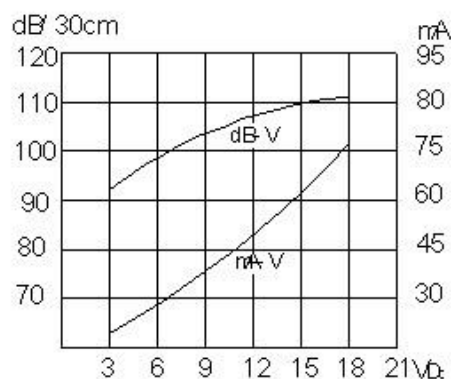
- Value applying at rated voltage

Dimensions :

(Unit : mm)



Frequency Response :



Version 1 / 10/2021